

USER AND INSTALLATION MANUAL

MAG:CFX®

ENGLISH

/BASEPLATE II.



PART01575
rev 01-00

DISCLAIMER

⚠ WARNING

Read this manual carefully before installing and/or using this product. Failure to read the manual and to follow the printed instructions may lead to personal injury and/or damage to the product.

© 2018 MAGICFX®
All rights reserved.

Nothing from this publication may be copied, reproduced and/or published by means of printing, photocopying or by any other means, without the prior written approval of MAGIC FX.

MAGIC FX reserves the right to modify specifications stated in this manual.

TRADEMARKS

Any brand names mentioned in this manual are registered trademarks of their respective owners.

LIABILITY

MAGIC FX accepts no liability for claims from third parties arising from unauthorised use, use other than that stated in this manual, and use other than in accordance with the General Conditions registered at the Chamber of Commerce.

Refer further to the General Conditions. These are available on request, free of charge.

Although considerable care has been taken to ensure a correct and suitably comprehensive description of all relevant components, the manual may nonetheless contain errors and inaccuracies.

Should you detect any errors or inaccuracies in the manual, we would be grateful if you would inform us. This helps us to further improve our documentation.

TABLE OF CONTENTS

Disclaimer	2
Trademarks	2
Liability	2
Foreword	4
Language	4
Revision table	4
1 Meet the MAGICFX® BASEPLATE III!	5
1.1 MAGICFX® BASEPLATE II	5
1.2 Technical data	6
1.3 Product identification	6
1.4 Configurations	7
1.5 Included fasteners	7
1.6 MAGICFX® CO2JET II	8
1.7 MAGICFX® CO2JET DMX	8
1.8 MAGICFX® POWERSHOT II	9
1.9 MAGICFX® PSYCO2JET	9
1.10 MAGICFX® SPARXTAR	10
1.11 TRUSS	10
1.12 Generic	11
2 Mount safely!	12
2.1 General safety rules	12
2.2 Rigging	12
2.3 Safety symbols	12
2.4 Precautions for use	13
3 Let's mount!	14
3.1 Mount 4 MAGICFX® POWERSHOT II on a TRUSS	14
4 Troubleshooting	17

FOREWORD

Congratulations! You have bought a great new product from MAGIC FX.

This manual contains all information required for the intended use of the equipment. Deviation from the described intended use can result in a hazardous situation and/or property damage.

This manual includes notes and warnings on safe operation of the equipment. These notes and warnings are accompanied by the following icons. Read them attentively!

⚠ DANGER

Indicates a hazardous situation that, if not avoided, will result in death or serious injury. This signal word is to be limited to the most extreme situations.

⚠ WARNING

Indicates a hazardous situation that, if not avoided, could result in death or serious injury.

⚠ CAUTION

Indicates a hazardous situation that, if not avoided, could result in minor or moderate injury.

NOTICE

Indicates information considered important, but not hazard-related (e.g. messages relating to property damage).

LANGUAGE

This document contains the original instructions in English. In case you require other languages please contact MAGIC FX.

REVISION TABLE

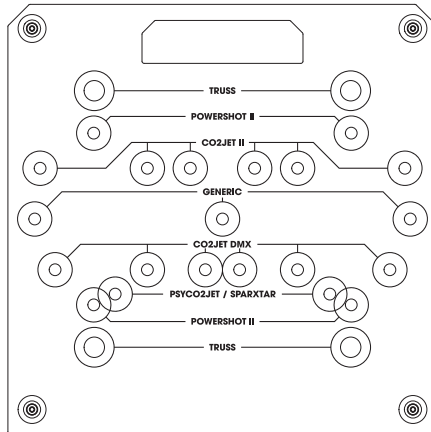
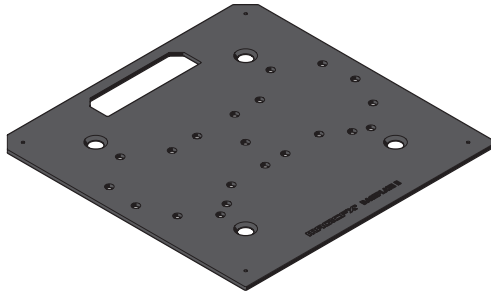
Document nr	Revision	Date	Description	Authored by	Checked by
PART01575	01-00	31-7-2018	Initial release	SdO	TvA

1 MEET THE MAGICFX® BASEPLATE II!

The MAGICFX® BASEPLATE II is a heavy plate for mounting several configurations of MAGICFX® products. Fasteners for mounting MAGICFX® products on the MAGICFX® BASEPLATE II are included.

The MAGICFX® BASEPLATE II can be placed with its rubber feet on a stage and is equipped with four holes for mounting to a truss. Furthermore the MAGICFX® BASEPLATE II has a handle for transportation.

1.1 MAGICFX® BASEPLATE II



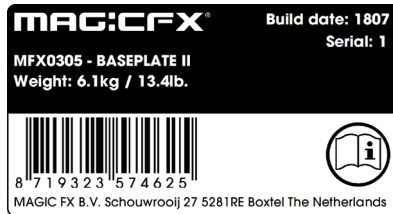
MAGICFX® BASEPLATE II

1.2 TECHNICAL DATA

Product	Product Name	MAGICFX® BASEPLATE II	
	Product Code	MFX0305	
	Product Type	ACCESSORIES	
Main Dimensions	Length (mm/in.)	400	15.7
	Width (mm/in.)	400	15.7
	Height (mm/in.)	15	0.6
Weight	Empty weight (kg/lb.)	6.1	13.4
Package	Length (mm/in.)	416	16.4
	Width (mm/in.)	416	16.4
	Height (mm/in.)	44	1.7
	Packaged weight (kg/lb.)	6.5	14.3

Technical data

1.3 PRODUCT IDENTIFICATION



Product identification

1.4 CONFIGURATIONS

Product	Quantity				Rotatable	Truss mountable*
	1	2	3	4		
CO2JET II	●					●
CO2JET DMX	●	●				●
POWERSHOT II	●	●	●	●	●	●
PSYCO2JET	●					●
SPARXTAR	●					●

Configurations

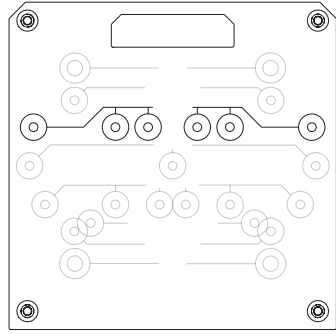
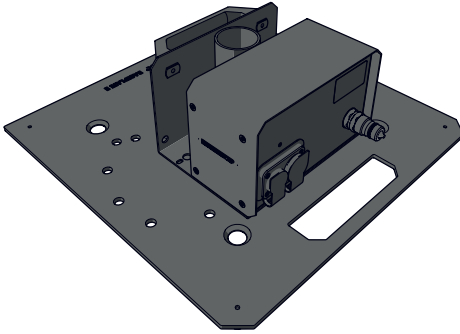
* Read chapter 2 for safety regulations regarding rigging and trussing.

1.5 INCLUDED FASTENERS

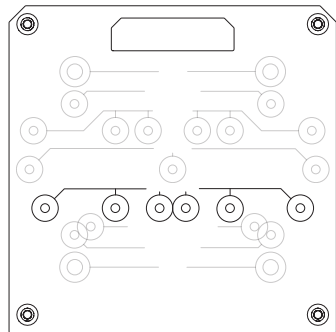
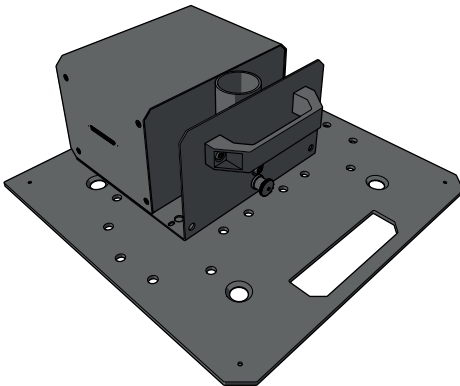
Product	M10x25 Hexagon Head Bolt (4 pcs)	M10x35 Hexagon Head Bolt (2 pcs)	M10x30 Washer (4 pcs)	M12x20 Socket Countersunk (4 pcs)
CO2JET II	●		●	
CO2JET DMX	●		●	
POWERSHOT II	●		●	
PSYCO2JET			●	
SPARXTAR			●	
TRUSS MOUNTING				●

Included fasteners

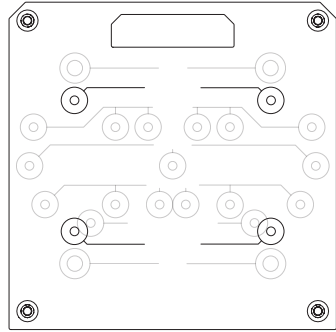
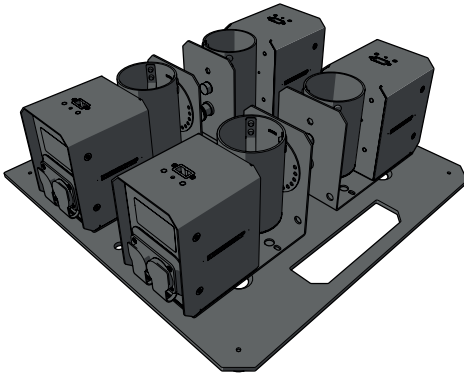
1.6 MAGICFX® CO2JET II



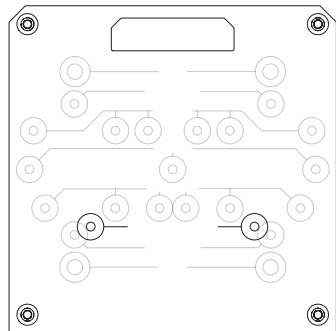
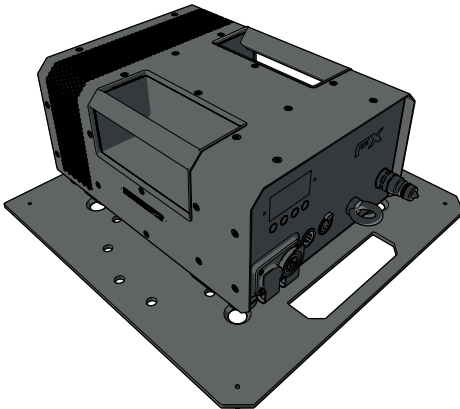
1.7 MAGICFX® CO2JET DMX



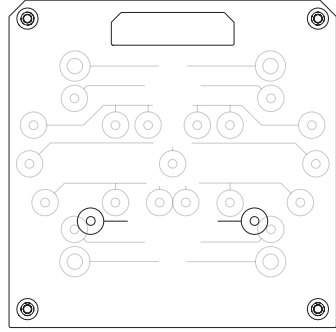
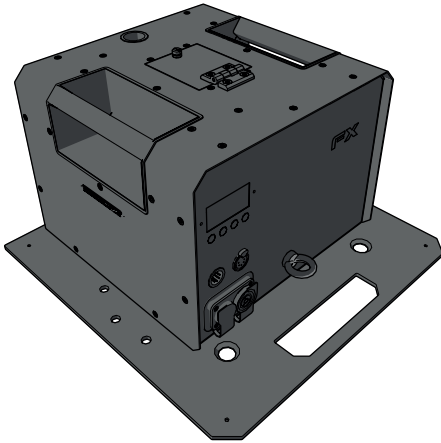
1.8 MAGICFX® POWERSHOT II



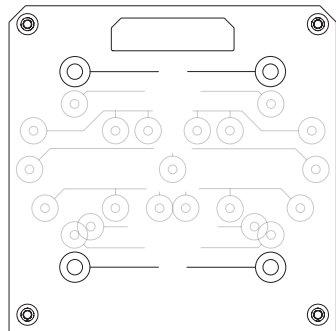
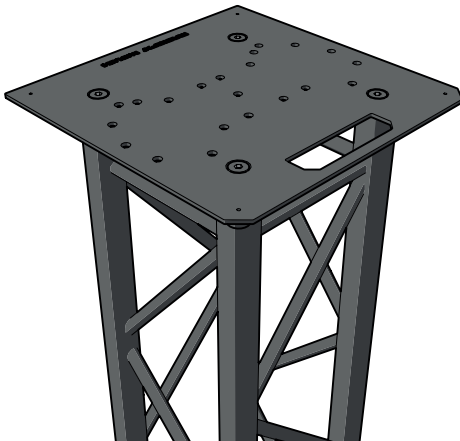
1.9 MAGICFX® PSYCO2JET



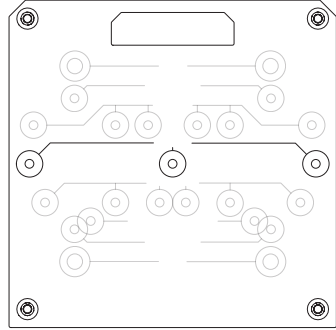
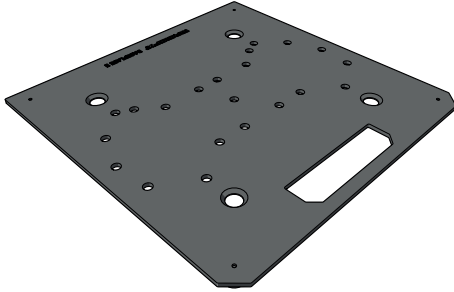
1.10 MAGICFX® SPARXTAR



1.11 TRUSS



1.12 GENERIC



2 MOUNT SAFELY!

The MAGICFX® BASEPLATE II has been designed and constructed in such a manner that it can be used safely. This applies to the use, the circumstances and the regulations as described in this documentation. Reading this documentation and following the instructions are therefore necessary for everyone who is authorised to work with the MAGICFX® BASEPLATE II.

2.1 GENERAL SAFETY RULES

- Only authorised persons may carry out work with the MAGICFX® BASEPLATE II.
- Make sure that children, unauthorised people and animals do not obtain access to the MAGICFX® BASEPLATE II.
- Make sure there are no freestanding objects or objects that can be damaged by the mounted machines within the output distance.
- Do not remove any safeguards, safety caps and safety symbols.
- All required safety devices must be in good condition and function properly.
- Do not use the MAGICFX® BASEPLATE II to stabilize a truss.
- Ensure sufficient lighting of the surroundings.
- Keep the workplace clean.
- Refer to the manual(s) of the mounted machine(s) for safety instructions concerning the use of those machines.

2.2 RIGGING

Please follow the European and national guidelines for safe rigging and trussing.

2.3 SAFETY SYMBOLS

Symbol	Meaning
	Read the manual carefully before use!



Safety symbols

2.4 PRECAUTIONS FOR USE

⚠ WARNING

Using a damaged or an improper installed baseplate can lead to death, serious injury or property damage. Always inspect the baseplate thoroughly before use.

⚠ WARNING

Using a damaged or an improper mounted machine can lead to death, serious injury or property damage. Always inspect the mounted machines thoroughly before operation.

⚠ WARNING

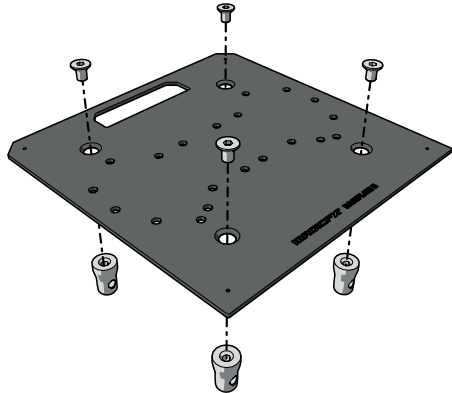
Missing or obscured safety symbols on the baseplate can lead to death or serious injury. Make sure all safety symbols are correctly in place, see section 2.3.

3 LET'S MOUNT!

The steps of mounting 4 MAGICFX® POWERSHOT II on a truss is explained below. This can be used as an example for mounting other machines on the MAGICFX® BASEPLATE II.

3.1 MOUNT 4 MAGICFX® POWERSHOT II ON A TRUSS

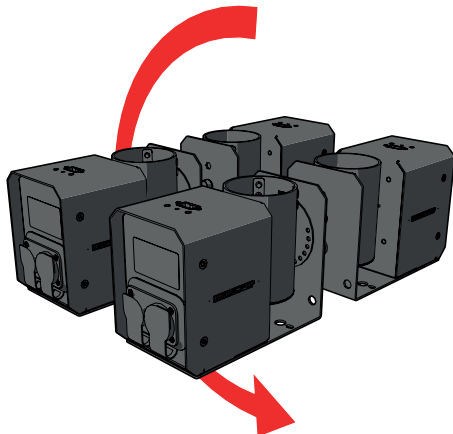
- 1 Screw the truss half couplers on to the MAGICFX® BASEPLATE II.



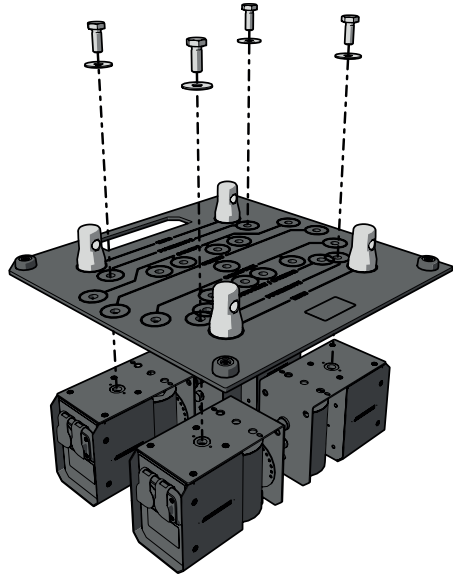
NOTICE

If mounting on a truss, always perform this step first.

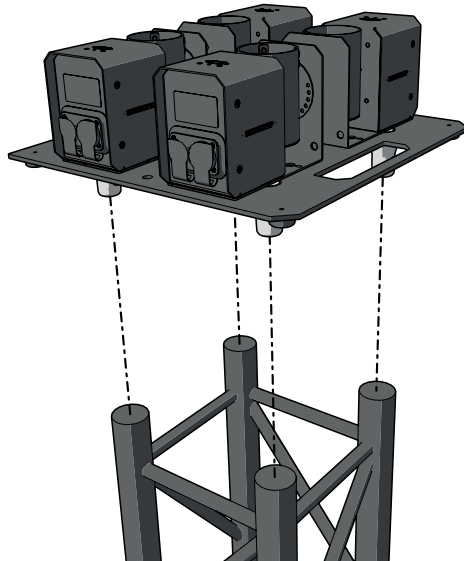
- 2 Flip the 4 MAGICFX® POWERSHOT II upside down.



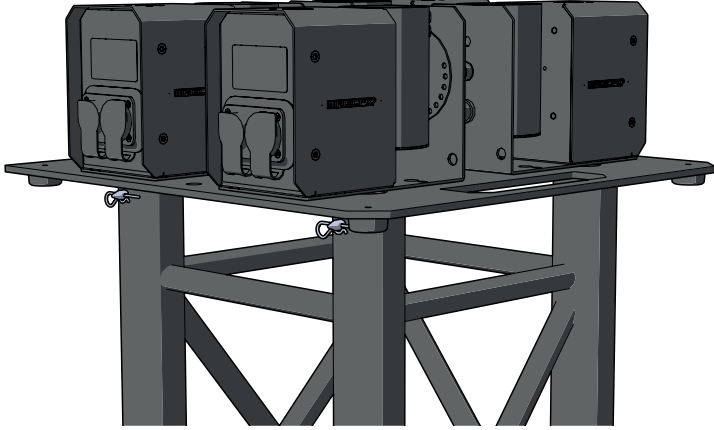
-
- 3** Mount the 4 MAGICFX® POWERSHOT II firmly on the MAGICFX® BASEPLATE II.



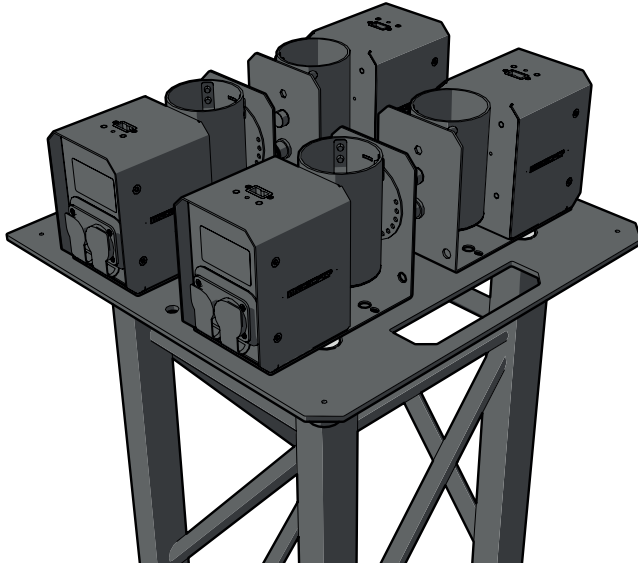
-
- 4** Place the MAGICFX® BASEPLATE II on a truss.



-
- 5 Secure the MAGICFX® BASEPLATE II correctly on a truss with conical pins and spring clips.



-
- 6 Inspect if the MAGICFX® BASEPLATE II is mounted firmly and secured correctly.



4 TROUBLESHOOTING

Always contact MAGIC FX if any malfunctions or errors occur that cannot be solved with the instructions as described in this manual.

MAG:CFX[®]

WWW.MAGICFX.EU

